



**MODULAR SERVICES COMPANY** 110 N. E. 38TH TERRACE  
OKLAHOMA CITY, OK. 73105

REVISED

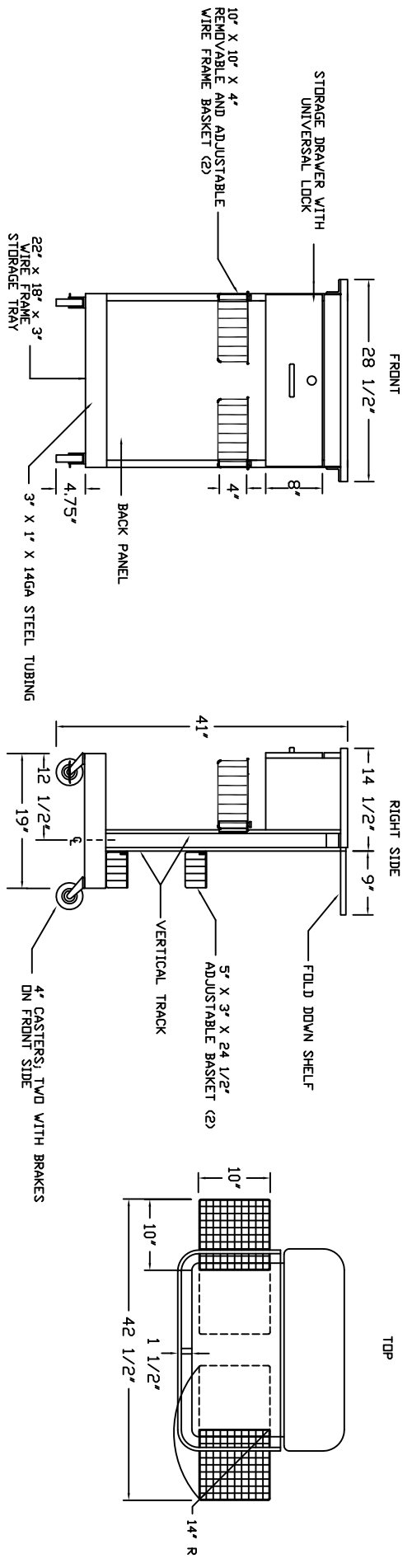
CRITICAL CARE CART  
MODEL C

SCALE 1"=1'

DATE \_\_\_\_\_ DRAWN BY \_\_\_\_\_ DRAWING # \_\_\_\_\_

--REQ'D: --AS SHOWN  
--OPPOSITE

MSC STOCK #514-1618



TOP

RIGHT SIDE

FRONT