



MODULAR  
SERVICES COMPANY

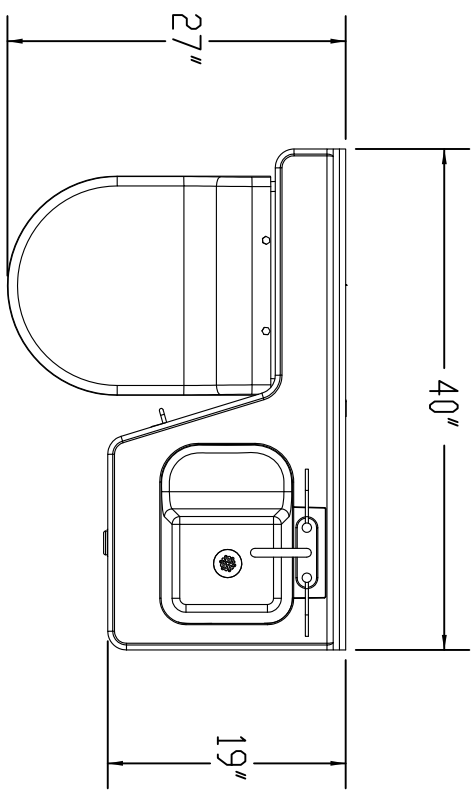
109 N.E. 38TH TERRACE  
OKLAHOMA CITY, OK 73105

REVISED:

DESCRIPTION:  
BLU-40

PROJECT:

DATE:	DRAWN BY:	DRAWING #
07/18/08	BLC	PB-118



NOT TO SCALE

