



MODULAR
SERVICES COMPANY

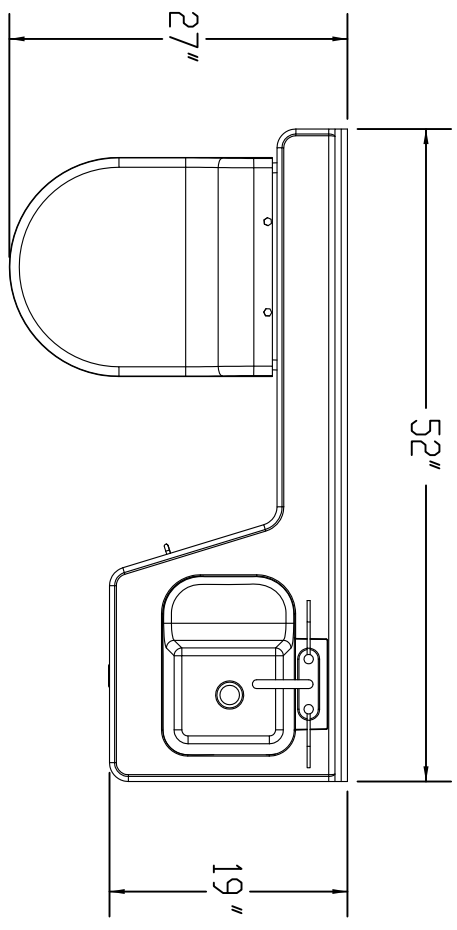
109 N.E. 38TH TERRACE
OKLAHOMA CITY, OK 73105

REVISED:

DESCRIPTION:

PROJECT:

DATE:	DRAWN BY:	DRAWING #
07/18/08	BLC	PB-119



NOT TO SCALE

