



MODULAR
SERVICES COMPANY

SPECIFICATIONS

RETRACTABLE CEILING SERVICE COLUMN

Model 8301—Stainless Steel

Model 8301PC—Epoxy Powder Coat Finish

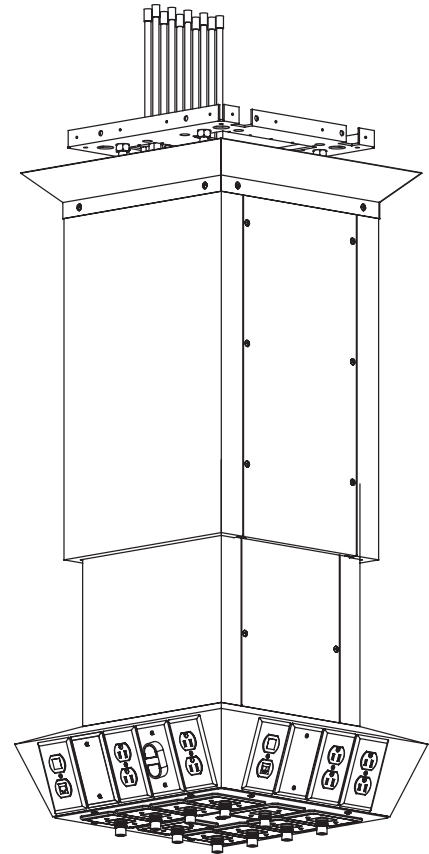
The electrically operated retractable ceiling column includes an upper section for rigid mounting at the ceiling level, a telescopic lower section capable of 16" vertical adjustment, and a stainless steel or powder coated steel collar. The electrically retractable section of the column is powered by an electric actuator capable of stopping at any user-determined position within the vertical range. The telescopic section is controlled by a dual electric up and down push button located either on the unit or (optionally) in a remote position within the room.

The upper and lower section shrouds are made of 16-gauge stainless steel with a #4 satin finish. The unit is complete with a removable access panel and stainless steel ceiling collar. The heavy-gauge steel mounting plate is provided and equipped with brazed type "K" copper fittings for all medical gas connections above the ceiling line. The column is available in an epoxy powder coated finish to match RAL9002-TX over 16-gauge steel.

All electrical and medical gas services are provided to the face of the lower section by means of flexible hoses and cables. All threaded connections comply with NFPA, CGA and DISS recommendations preventing interchange of connections.

All services are pre-assembled and factory tested. Standard dimensions are 13-1/2" x 13-1/2" for the upper section and 12" x 12" for the lower section. Electrical devices are pre-wired, unless otherwise stated.

The columns accommodate up to ten gas service outlets in any desired sequence on the bottom of the unit. Electrical outlets can be added on each of the four sides of the column. Any combination of ground jacks, computer outlets, communication devices, slides and IV hooks can also be mounted on the side panels.



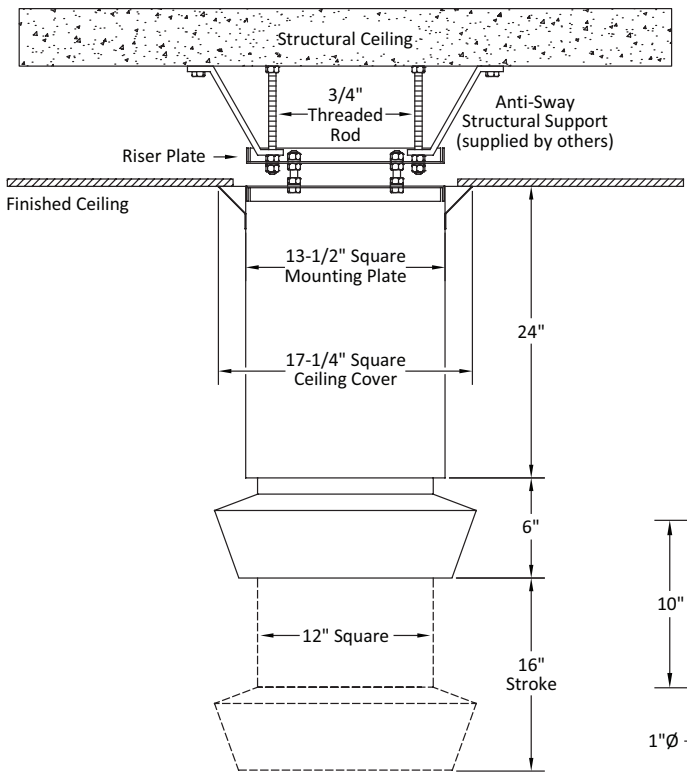
Remote Wall Control (optional)

FEATURES

- The retractable ceiling column allows height flexibility in supplying medical gas and electrical services.
- When not in use, the lower section can easily be raised.
- When required, the lower section of the column can be lowered to preferred height (16" stroke).

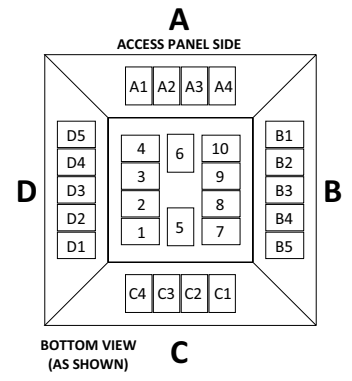
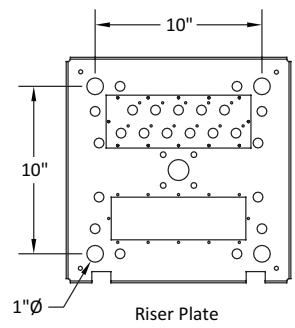
PROJECT



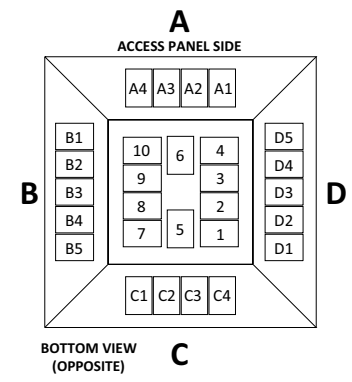


NOTES:

1. 3/4" support rods located for total support of fixture (minimum 400 lb. load). All labor and materials for support fabrication, including nuts and washers for installation, supplied by general contractor.
2. Contractor has final responsibility for the strength and stability of the mounting structure.
3. Mounting structure supplied by others.



BOTTOM VIEW (AS SHOWN) **C**



BOTTOM VIEW (OPPOSITE) **C**

SERVICE LOCATIONS

Ordering Information:

Ceiling columns are custom manufactured to customers specifications. The drawings (right) indicate the possible locations of services. Select the services desired and fill in the appropriate position number or letter (A1-D5 or 1-10) in the accessory charts below.

A total of 28 services may be installed for an NFPA column.

Modular Services requires a signed, approved submittal before fabrication will begin.

Specify Model #: 8301 8301PC

Number of units: _____ As shown: _____ Opposite: _____

Specify Ceiling Height: 9'-0" 9'-6" 10'-0"

Positions 1-10 = Medical Gas Outlets

Positions A1-D5 = Electrical and/or Communication Devices

Component	Location
Oxygen	
Medical Air	
Vacuum	
Nitrogen (DISS only)	
Nitrous Oxide	
Evacuation	
Carbon Dioxide	
Blank	

Component	Location
Duplex Receptacle H.G. 20A, 125V RED <input type="checkbox"/> IVORY <input type="checkbox"/>	
Duplex Receptacle H.G. 15A, 125V RED <input type="checkbox"/> IVORY <input type="checkbox"/>	
Simplex Receptacle H.G. 20A, 125V RED <input type="checkbox"/> IVORY <input type="checkbox"/>	
Simplex Receptacle H.G. 15A, 125V RED <input type="checkbox"/> IVORY <input type="checkbox"/>	
Twist-lock Receptacle, Hospital Grade, 23000HG, Hubbell	
IV Hook, Duplex only	
Nitrogen Control Panel (takes one complete side)	
Vacuum Bottle Slide Holder	
Blank for future use	



Modular Services Company
 109 NE 38th St. • Oklahoma City, OK 73105
 Tel: 800.687.0938 • Fax: 405.528.0368
 www.headwalls.com • info@headwalls.com