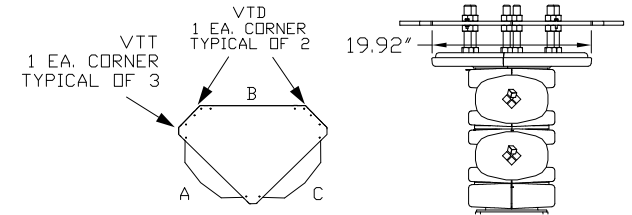
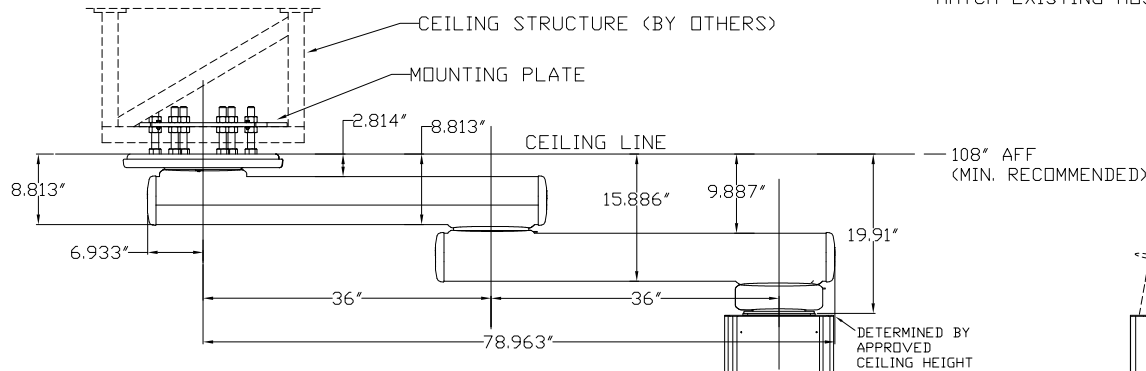
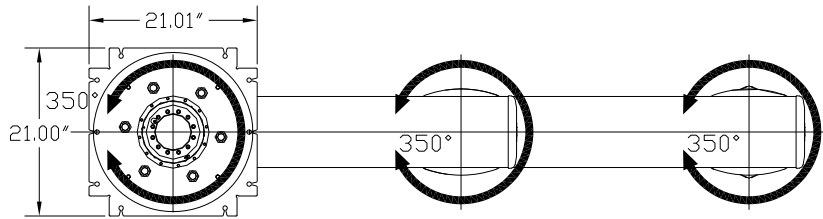


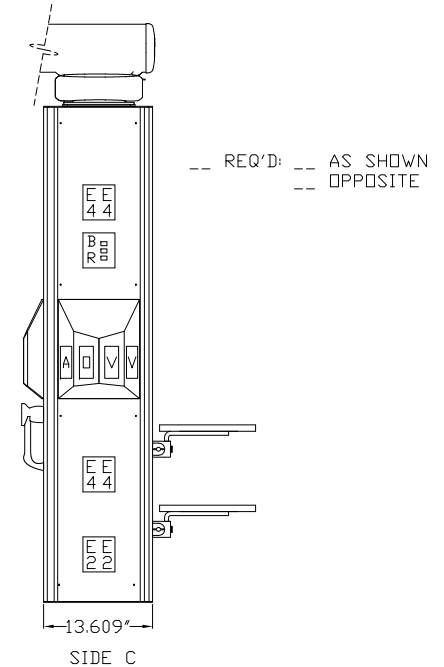
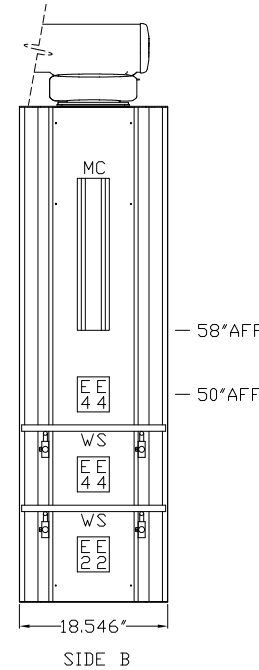
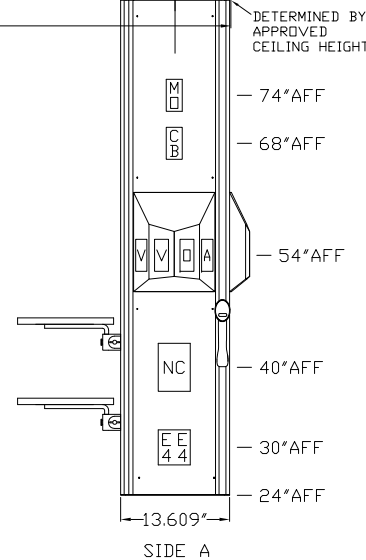
NOTE:

- ① GAS OUTLETS TO BE MSC STANDARD BRAND OUTLET WITH CONNECTION TO MATCH EXISTING HOSPITAL EQUIPMENT



LEGEND

REQ	SYM	DESCRIPTION
2	O	OXYGEN OUTLET
2	A	AIR OUTLET
4	V	VACUUM OUTLET
4	E2	DUPLEX RECEPTACLE, 8300 IVORY, 20A, 125V, H.G., NORMAL POWER
10	E4	DUPLEX RECEPTACLE, 8300 RED, 20A, 125V, H.G., EMER. POWER
1	NC	NURSE CALL PROVISION
1	CB	CODE BLUE PROVISION
1	MO	MONITOR OUTPUT PROVISION
1	MC	MONITOR CHANNEL ONLY
1	BR	BRAKE RELEASE
2	VTD	VERTICAL EQUIPMENT MOUNTING TRACK, DOUBLE
3	VTT	VERTICAL EQUIPMENT MOUNTING TRACK, TRIPLE
4		511-1000 VERTICAL TRACK ADAPTOR (SHOWN WITH ACCESSORY ITEMS)
2	WS	512-1202SP ADJUST. WRITING SHELF, 18" WIDE X 12" DEEP, POST MOUNT



SEE STRATUS INSTALLATION INSTRUCTIONS FOR DETAILS ON MOUNTING COMPONENTS AND ROUGH-IN LOCATION REQUIREMENTS

FLOOR LINE